

Gill Windsonic Ultrasonic Wind Sensor



- **Two year warranty**
- **Low power consumption**
- **Maintenance free**
- **Robust construction**

At last, a real low cost alternative to conventional cup/vane/propeller wind sensors in a single unit - WindSonic from Gill Instruments. Ideal for applications that demand economic wind sensing, WindSonic is suitable for land-based and marine environments.

A lightweight unit, WindSonic is of a robust, high strength construction designed to withstand installation and use with no fear of the damage commonly experienced with the more fragile cups, vanes or propellers. Without the need for expensive on-site calibration or maintenance and with a corrosion free exterior, WindSonic is a true fit and forget unit.

The flexible design enables you to easily configure WindSonic to deliver the information you require. By using the software provided it is possible to select the output rate and choose the units of measurement that suit your application.

Ensuring accuracy and reliability, WindSonic automatically transmits an anemometer status code with each output to indicate its operating status. Available in four options, providing a number of different digital and analogue outputs, WindSonic can be supplied with RS232, RS422, RS485, SDI-12 and NMEA digital outputs as standard.

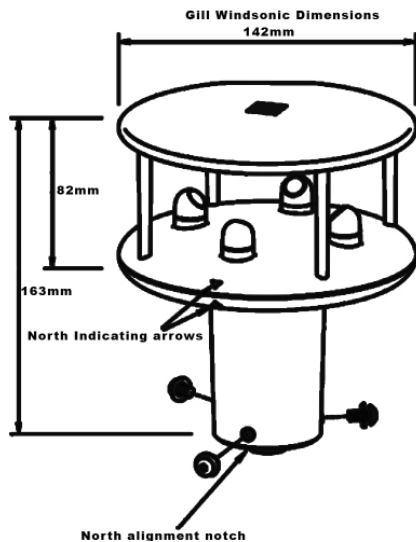
Providing accurate results in weather conditions where traditional mechanical sensors fail, WindSonic exhibits a number of further, very distinct advantages:

- Consistent performance throughout life (no accuracy degradation due to wear of moving parts)
- Corrosion free, UV resistant material
- Low start speed (0.01 m/s, 0.09 knots)
- Maintenance free
- No calibration required
- Robust construction
- Software configurable
- Status code output
- True 0°-360° operation
- Wind speed and direction from a single unit

Economic to use, WindSonic is ideal for accurate wind measurement in applications such as:

- Agriculture
- HVAC
- Pollution control
- Portable weather stations
- Tunnels
- Utilities
- Yachting
- Roadside weather stations

Specifications



Outputs

Output rate: 1,2 or 4 outputs per second
Parameters: Wind speed & direction or UV
Units of measure: m/s, knots, mph, kph, ft/min

Wind Speed

Range: 0 - 60 m/s
Accuracy: +/-4%
Resolution: 0.01 m/s

Wind Direction

Range: 0 - 360° - no dead-band
Accuracy: +/- 4%
Resolution: 1°

Anemometer Status

Message supplied as part of standard output

Outputs

- Option 1: RS232
- Option 2: RS232 + RS422 + RS485
- Option 3: RS232 + RS422 + RS485 + 0 - 5V OR 4 - 20 mA
- Option 4: SDI-12 + RS232

NMEA 0183 Version 3 available on all options

Environmental

- Moisture Protection: IP65:-35°C to 70°C
- Operating Temperature: -40°C to 90°C
- Storage Temperature: <5% to 100%
- Operating Humidity: BS EN 50081 - 1: 1992 (Emissions class B)

EMC BS EN 50082 - 1: 1997 (Immunity)

MTBF 10 Years

Materials

External Construction: LURAN S KR 2861/1C
ASA/PC

Dimensions

Size: 142 x 160 mm
Weight: 0.5 Kg

Standards

Manufactured within ISO9001 Quality System

Optional Factory Calibration

Traceable to National Standards

Mounting

Pipe mounting 44.45mm (1.75in) diameter

Order Code

- MCV - GILL - 1405 - PK - 021 (with option 1 outputs)
- MCV - GILL - 1405 - PK - 038 (with option 2 outputs)
- MCV - GILL - 1405 - PK - 040 (with option 3 outputs)

Mounting Pipe Dimensions

